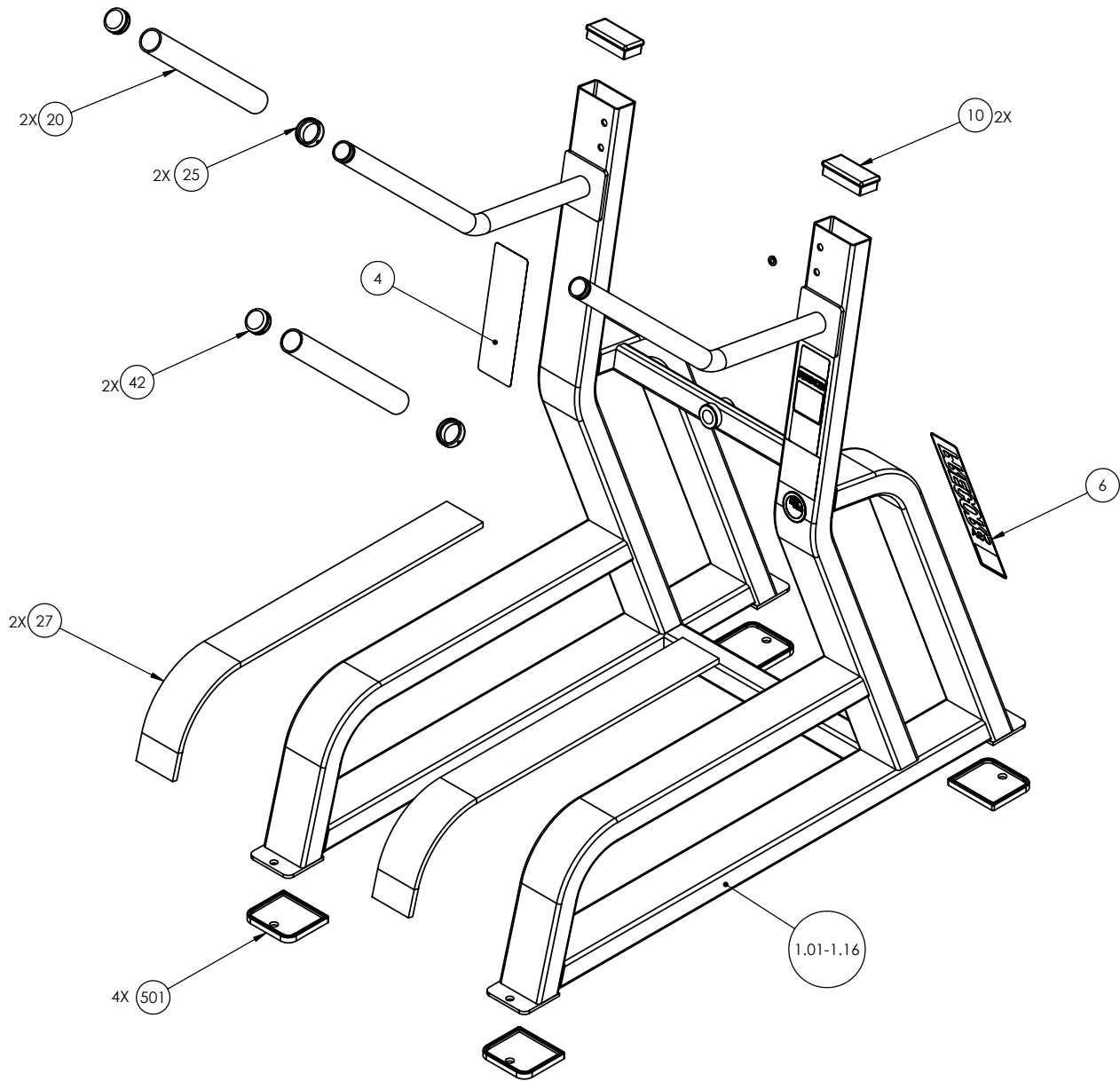
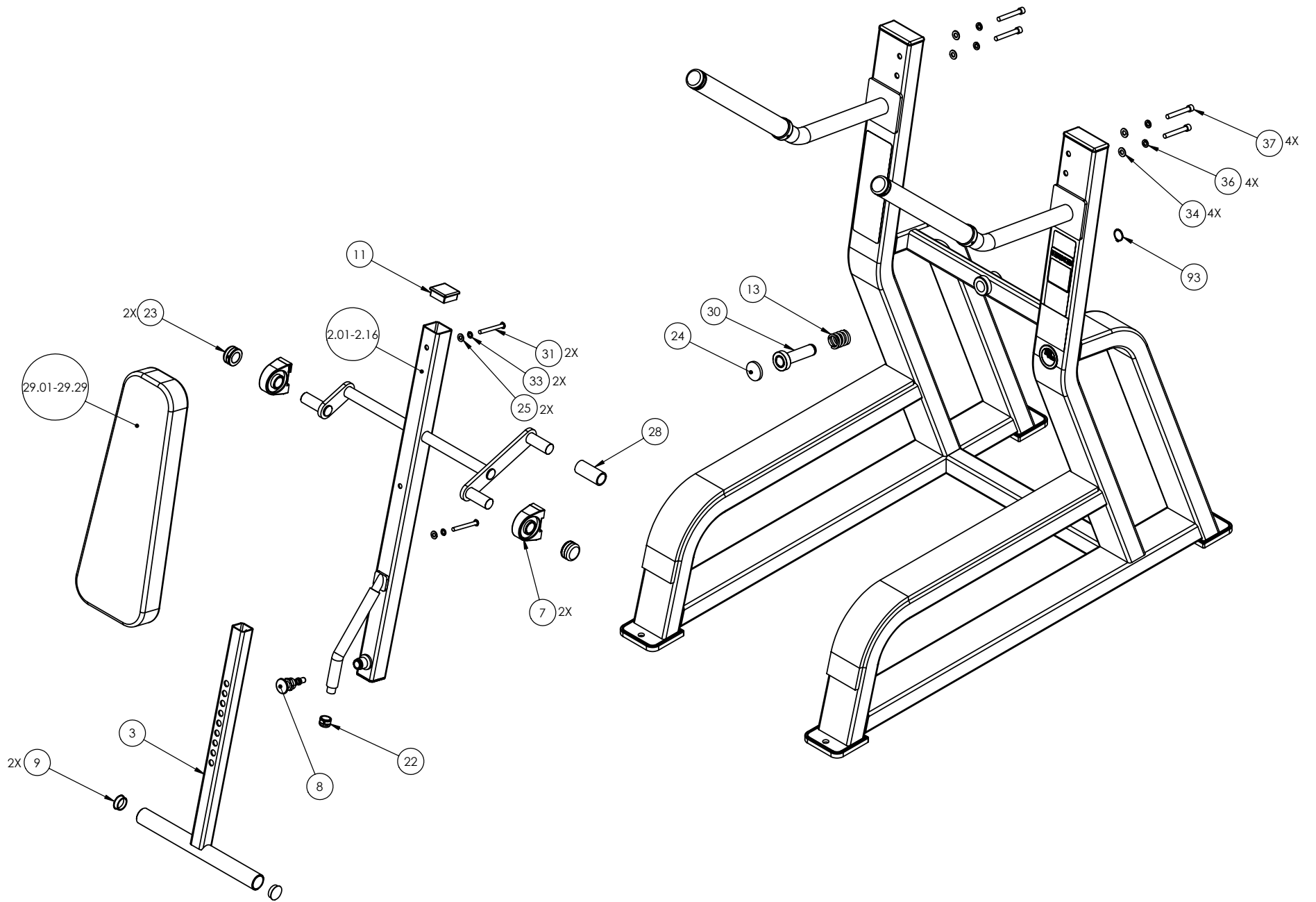


AB103	P/N : CW30958-101	SUBREV : B
DRAWN BY : CT	DATE : 07.27.05	SHEET 1 OF 3



AB103	P/N : CW30958-101	SUBREV : B
DRAWN BY : CT	DATE : 07.27.05	SHEET 2 OF 3



AB103	P/N : CW30958-101	SUBREV : B
DRAWN BY : CT	DATE : 07.27.05	SHEET 3 OF 3

**AB103 Vertical Abdominal Crunch**

<b>Part Number</b>	<b>Description</b>	<b>Bubble Number</b>
CWAB103SA1-211	ASSY,FRAME,MAIN,AB103,SKY WHITE	1.01
CWAB103SA1-221	ASSY,FRAME,MAIN,AB103,BLACK	1.02
CWAB103SA1-231	ASSY,FRAME,MAIN,AB103,RED	1.03
CWAB103SA1-241	ASSY,FRAME,MAIN,AB103,PLAT SPRKLE	1.04
CWAB103SA1-251	ASSY,FRAME,MAIN,AB103,SILVER	1.05
CWAB103SA1-261	ASSY,FRAME,MAIN,AB103,BLUE	1.06
CWAB103SA1-271	ASSY,FRAME,MAIN,AB103,CHARCOAL	1.07
CWAB103SA1-281	ASSY,FRAME,MAIN,AB103,CATH GRAY	1.08
CWAB103SA1-291	ASSY,FRAME,MAIN,AB103,SILVER VIEN	1.09
CWAB103SA1-311	ASSY,FRAME,MAIN,AB103,STONE HG	1.11
CWAB103SA1-321	ASSY,FRAME,MAIN,AB103,TITANIUM HG	1.12
CWAB103SA1-331	ASSY,FRAME,MAIN,AB103,WHITE GLOSS	1.13
CWAB103SA1-341	ASSY,FRAME,MAIN,AB103,BLACK ONYX	1.14
CWAB103SA1-351	ASSY,FRAME,MAIN,AB103,LT. BRONZE	1.15
CWAB103SA1-361	ASSY,FRAME,MAIN,AB103,SAPPHIRE BL	1.16
CWAB103SA2-211	ASSY,PIVOTING BACK,AB103,SKY WHITE	2.01
CWAB103SA2-221	ASSY,PIVOTING BACK,AB103,BLACK	2.02
CWAB103SA2-231	ASSY,PIVOTING BACK,AB103,RED	2.03
CWAB103SA2-241	ASSY,PIVOTING BACK,AB103,PLAT SPKLE	2.04
CWAB103SA2-251	ASSY,PIVOTING BACK,AB103,SILVER	2.05
CWAB103SA2-261	ASSY,PIVOTING BACK,AB103,BLUE	2.06
CWAB103SA2-271	ASSY,PIVOTING BACK,AB103,CHARCOAL	2.07
CWAB103SA2-281	ASSY,PIVOTING BACK,AB103,CATH GRY	2.08
CWAB103SA2-291	ASSY,PIVOTING BACK,AB103,SILVER VIE	2.09
CWAB103SA2-312	ASSY,PIVOTING BACK,AB103,STONE HG	2.11
CWAB103SA2-321	ASSY,PIVOTING BACK,AB103,TITANIUM H	2.12
CWAB103SA2-331	ASSY,PIVOTING BACK,AB103,WHITE GLOS	2.13
CWAB103SA2-341	ASSY,PIVOTING BACK,AB103,BLACK ONYX	2.14
CWAB103SA2-351	ASSY,PIVOTING BACK,AB103,LIGHT BRON	2.15
CWAB103SA2-361	ASSY,PIVOTING BACK,AB103,SAPPHIRE B	2.16
CWAB103SA3-712	ASSY,FOOTREST ADJ.,AB103,CHROME	3
CW30064-101	LABEL,INSTRUCTION,AB103	4
CW12406-101	PILLOW BLOCK, BEARING, 2 BOLT	7
CW32460-321	ASSY, RATCHETING LEVER, TITANIUM	8
CW11095-105	CAP, PLASTIC, HEYCO, DOME PLUG, 1.2	9
CW11311-102	ENDCAP, REC TUBE, 2X4, BLK PLASTIC	10
CW11311-103	ENDCAP, REC TUBE, 2X2, BLK PLASTIC	11
CW30010-101	LABEL,WARNING STRENGTH	16
CWGR2509-375	GRIP,RUBBER,3/4" DIA, 9-3/8"	17
CWAC1236-101	GUIDE INSERT, PLASTIC WITHOUT HOLE,	19
CWGR4315-000	GRIP,RUBBER, DIA 1-1/2, (15")	20
CWAC220-901	HANDLE END CAP W/SET SCREWS, DIA 3/	22
CWAC222-901	ASSY, SHAFT END CAP W/SET SCREWS, D	23
CWAC261-901	HANDLE RETAINER RING W/SET SCREWS D	25
CW30014-114	CUT PIECE, CREPE, 7/16 X 3 5/8 X (3	27
CWGR2602-750	GRIP,RUBBER, 1" DIA, 2-3/4"	28
CWPD1205B-101	PAD,5.88X8.75X23.75,2HL,W/BP,BLACK	29.01
CWPD1205B-102	PAD,5.88X8.75X23.75,2HL,W/BP,RY BL	29.02
CWPD1205B-103	PAD,5.88X8.75X23.75,2HL,W/BP,DV GR	29.03

CWPD1205B-104	PAD,5.88X8.75X23.75,2HL,W/BP,CRCUS	29.04
CWPD1205B-105	PAD,5.88X8.75X23.75,2HL,W/BP,GROTT	29.05
CWPD1205B-106	PAD,5.88X8.75X23.75,2HL,W/BP,GRPHT	29.06
CWPD1205B-107	PAD,5.88X8.75X23.75,2HL,W/BP,RED	29.07
CWPD1205B-108	PAD,5.88X8.75X23.75,2HL,W/BP,CH GR	29.08
CWPD1205B-109	PAD,5.88X8.75X23.75,2HL,W/BP,TURQS	29.09
CWPD1205B-110	PAD,5.88X8.75X23.75,2HL,W/BP,RASP	29.1
CWPD1205B-111	PAD,5.88X8.75X23.75,2HL,W/BP,PLUM	29.11
CWPD1205B-112	PAD,5.88X8.75X23.75,2HL,W/BP,RGMNT	29.12
CWPD1205B-113	PAD,5.88X8.75X23.75,2HL,W/BP,SPC BL	29.13
CWPD1205B-115	PAD,5.88X8.75X23.75,2HL,W/BP,BLK LT	29.15
CWPD1205B-117	PAD,5.88X8.75X23.75,2HL,W/BP,PUTTY	29.17
CWPD1205B-118	PAD,5.88X8.75X23.75,2HL,W/BP,IMP BL	29.18
CWPD1205B-119	PAD,5.88X8.75X23.75,2HL,W/BP,YW GRN	29.19
CWPD1205B-120	PAD,5.88X8.75X23.75,2HL,W/BP,DST JD	29.2
CWPD1205B-121	PAD,5.88X8.75X23.75,2HL,W/BP,TRA CT	29.21
CWPD1205B-122	PAD,5.88X8.75X23.75,2HL,W/BP,PAPRKA	29.22
CWPD1205B-123	PAD,5.88X8.75X23.75,2HL,W/BP,ASH LT	29.23
CWPD1205B-124	PD,5.8X8.7X23.75,2H,W/BP,CERLN LTH	29.24
CWPD1205B-125	PD,5.8X8.7X23.75,2H,W/BP,CHRCL LTHR	29.25
CWPD1205B-126	PD,5.88X8.75X23.75,2H,W/BP,HNTR LTH	29.26
CWPD1205B-127	PD,5.88X8.75X23.75,2H,W/BP,MOSS LTH	29.27
CWPD1205B-128	PD,5.88X8.75X23.75,2H,W/BP,SPCE LTH	29.28
CWPD1205B-129	PD,5.88X8.75X23.75,2H,W/BP,TOMT LTH	29.29
CW30799-731	ASSY, SPRING STOP, BLK ZN	30
CWTAYN031-300	SCREW, BUTTON HEAD, BLK XYLAN,5/16	31
CWCAYN025-050	SCREW, SOCKET HEAD, BLK XYLAN	32
CWWALYN031-008	WASHER, SPLIT, 5/16 ID, BL	33
CWWBKN038-007	WASHER, FLAT, TYPE A, SAE, 3/8 ID	34
CWWBKN031-007	WASHER, FLAT, TYPE A, SAE, 5/16 ID	35
CWWALYN038-009	WASHER, SPLIT, 3/8 ID, BLK XYLAN	36
CWCAYN038-275	SCREW, SOCKET HEAD, BLK XYLAN, 3/	37
CW31758-102	LABEL, ABENCH LINE	38
CW31757-102	LABEL, PRECOR USA	39
CWAC1247-101	LABEL, HESTER DESIGN	41
CWAC242-901	HANDLE END CAP W/SET SCREWS, DIA 1	42
CW31784-731	STOP PLUG, BLK ZN	43
CW12634-101	SPRING, TORSION 90 DEG X 0.484 X 0.	72
CW31770-742	LATCH PIVOTING PIN, CLR ZN	73
CWAMNN028-003	RING, RETAINING, 2-TURN, SPIRAL, SS	74
CWSA1120-731	WELDMENT, SPRING STOP, BLK ZN	90
CWCP1046-101	CUT PIECE, CREPE, ROUND, .25 THICK,	91
CWAC1135-731	SPRING, COMPRESSION, 1 9/32 OD X 1	92
CWAANN100-003	RETAINING RING, EXTERNAL 1" DIA	93
CWAC1177-101	FLOOR PROTECTOR, RUBBER, 4.563 X 4.	501